

Silent Check Valves PN10/145PSI

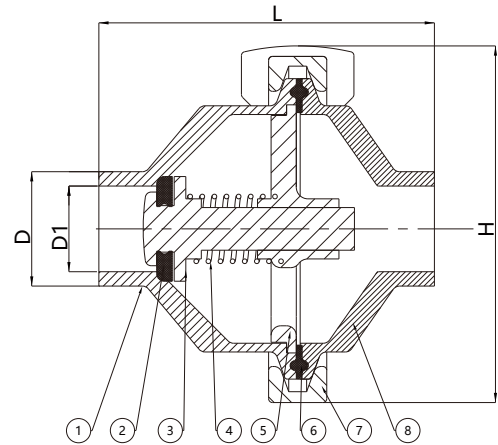
Welded, Spring Return
Dimensions to ISO2037, DIN11850
Temperature Range: -20°C~100°C/-4°F~212°F



CV5203-W

| Materials | | |
|-----------|----------------------|---------------|
| No. | Part | Specification |
| 1 | Body | ANSI 304/316L |
| 2 | Gasket | EPDM |
| 3 | Stem | ANSI 304/316L |
| 4 | Spring | ANSI 304/316L |
| 5 | Disc | ANSI 304/316L |
| 6 | Quick-Fitting Washer | EPDM |
| 7 | Clamp | ANSI 304 |
| 8 | Bonnet | ANSI 304/316L |

* Centre-oriented design.



| Dimensions (ISO/DIN) | | | | | |
|----------------------|--------------|--------------|---------------|--------------|-----------------------------|
| Size/In | L ISO/DIN | D ISO/DIN | D1 ISO/DIN | H ISO/DIN | Min Opening Pressure Bar |
| ½ | 71 | 12.7/19 | 9.5/16 | 80 | 0.1 |
| ¾ | 71/77.5 | 19/22 | 15.8/19 | 80/92 | 0.1 |
| 1 | 77.5 | 25/28 | 21.8/25 | 92 | 0.2 |
| 1¼ | 77.5 | 31.8/34 | 28.6/31 | 92 | 0.2 |
| 1½ | 77 | 38/40 | 34.8/37 | 92 | 0.2 |
| 2 | 87 | 51/52 | 47.8/49 | 97 | 0.2 |
| 2½ | 100 | 63.5/70 | 60.3/66 | 108 | 0.3 |
| 3 | 100 | 76.1/85 | 72.9/81 | 113/125 | 0.4 |
| 4 | 100.5 | 101.6/104 | 97.6/100 | 131/132 | 0.7 |

♦Please consult the factory for 3A and other standard sizes such as ASME BPE, BS4825, etc.